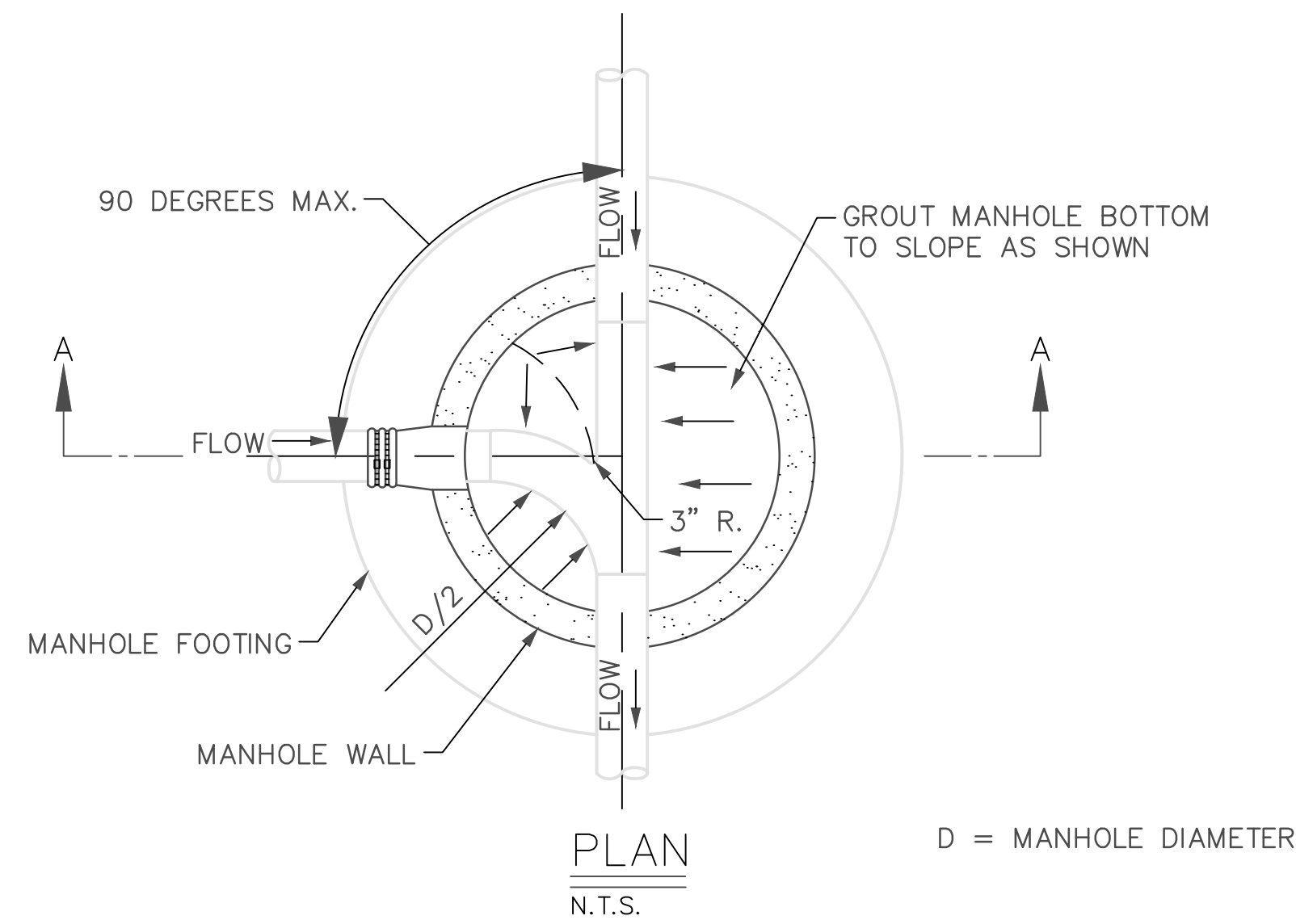


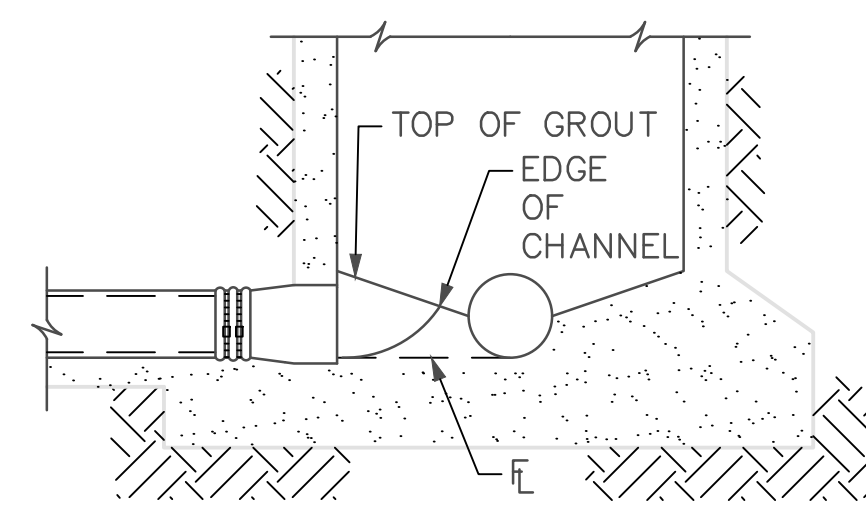
DROP CONNECTIONS FOR SANITARY SEWER MANHOLE

N.T.S.

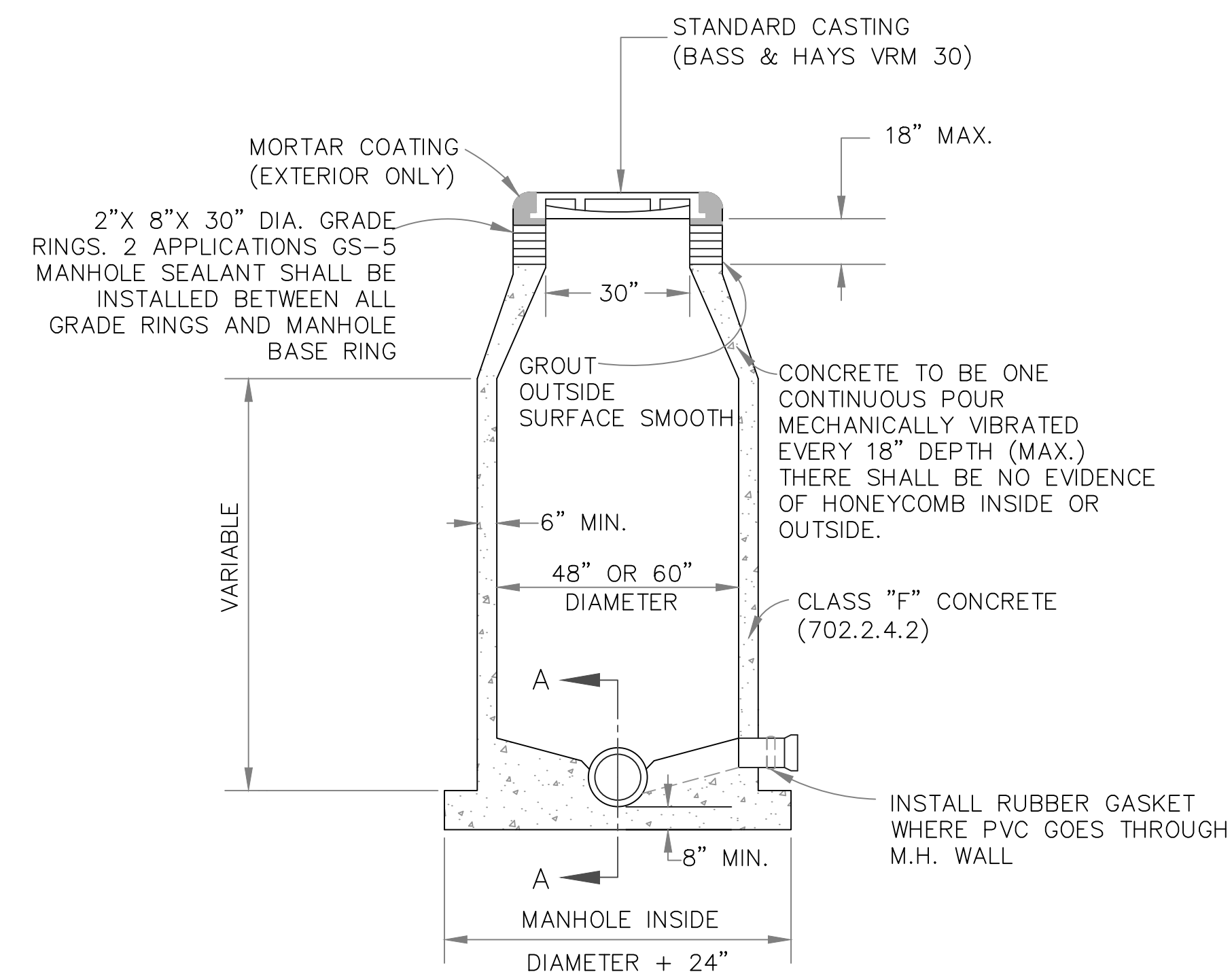
1. DROP PIPE SHALL BE ONE SIZE LARGER THAN SEWER INFLUENT PIPE.
2. ALL DROP MANHOLES SHALL BE 72" DIAMETER.
3. NO DROP PIPING SHALL BE REQUIRED IF SEWER INFLUENT PIPE FLOWLINE IS 18" OR LESS ABOVE MAIN SEWER PIPE FLOWLINES OR IF MAIN SEWER PIPE BENCH IS HIGHER THAN SEWER INFLUENT FLOWLINE.



PLAN
N.T.S.



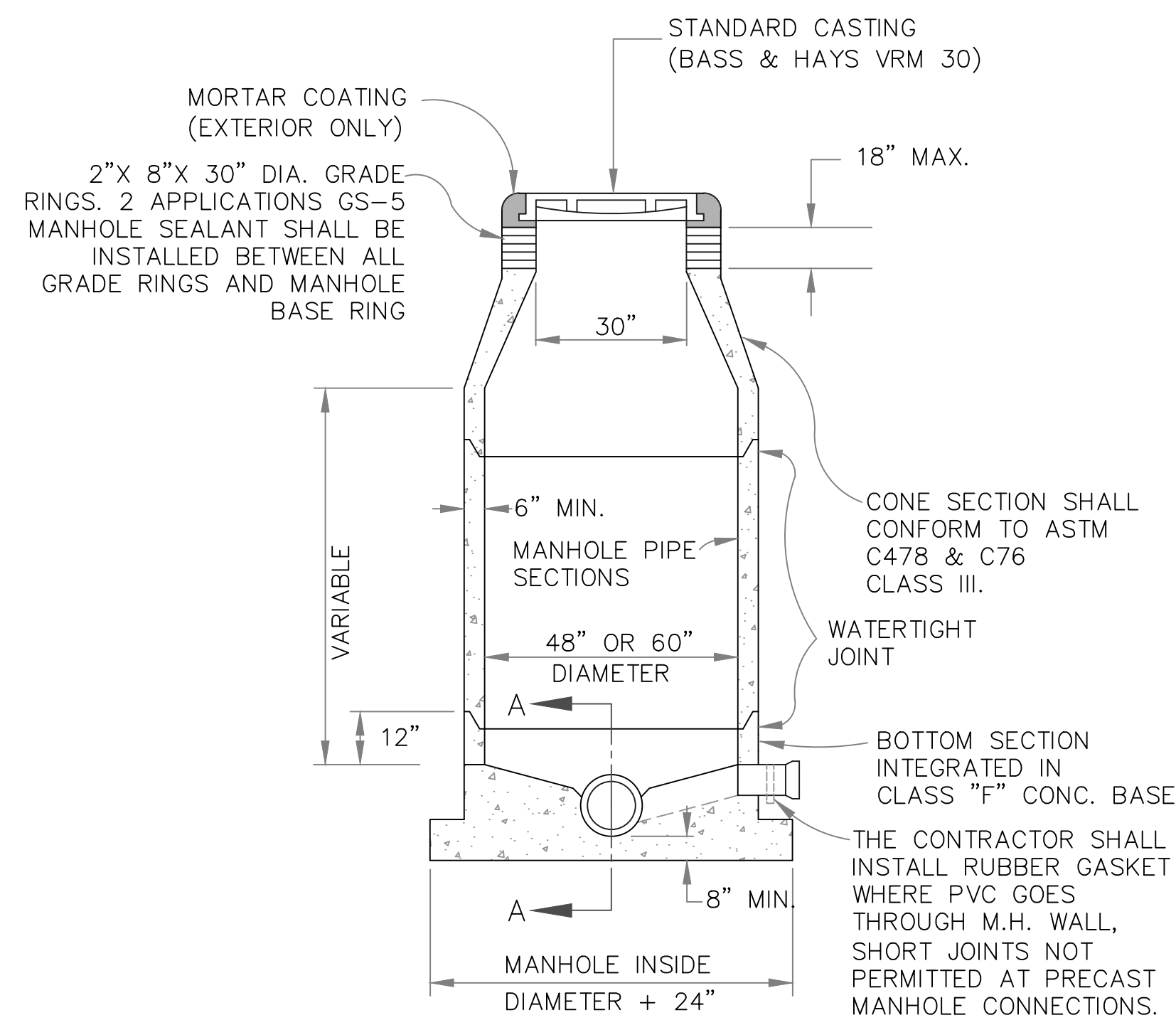
SECTION "A - A"
N.T.S.



CAST IN PLACE MANHOLE

N.T.S.

1. MANHOLES FOR SEWER MAINS 15" OR LARGER SHALL BE 5' DIAMETER MINIMUM
2. MANHOLES 10' OR DEEPER SHALL BE 5' DIAMETER MINIMUM



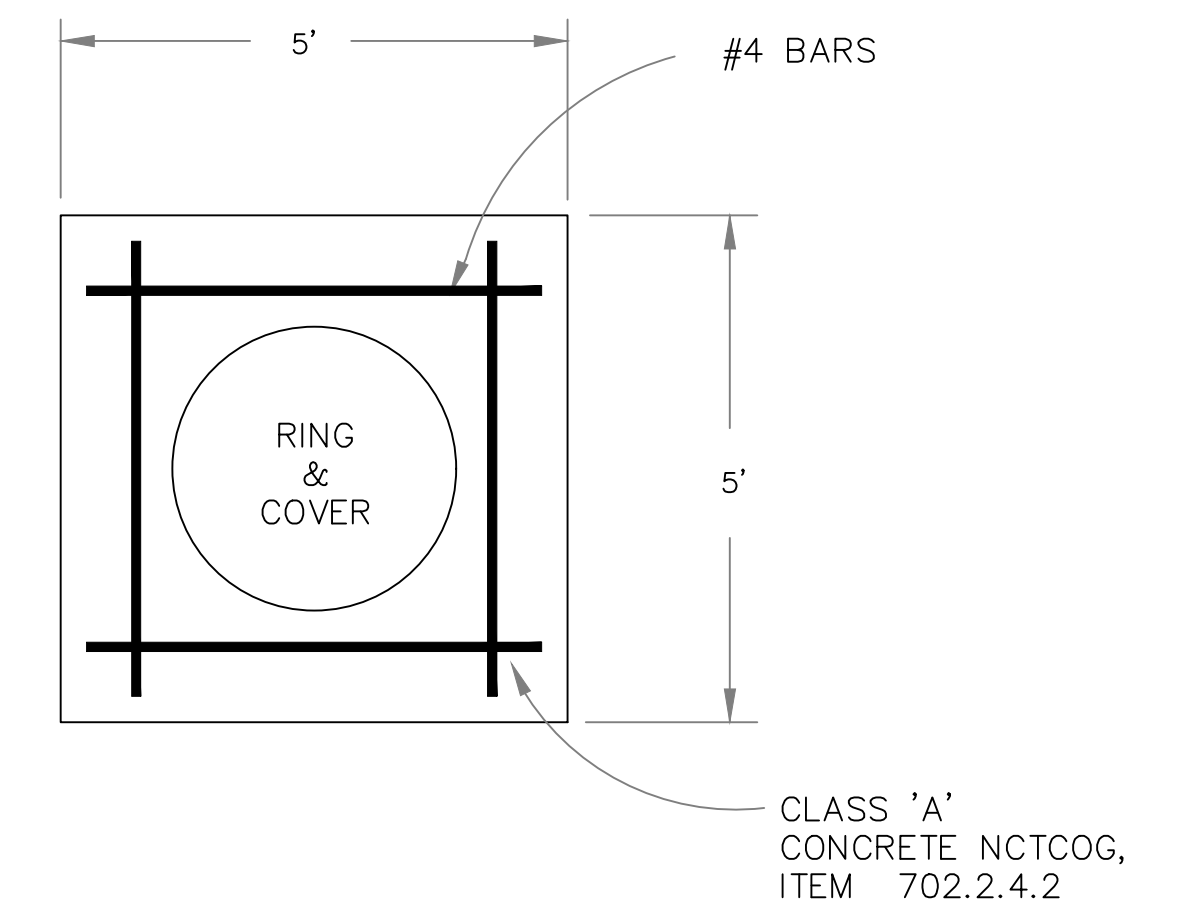
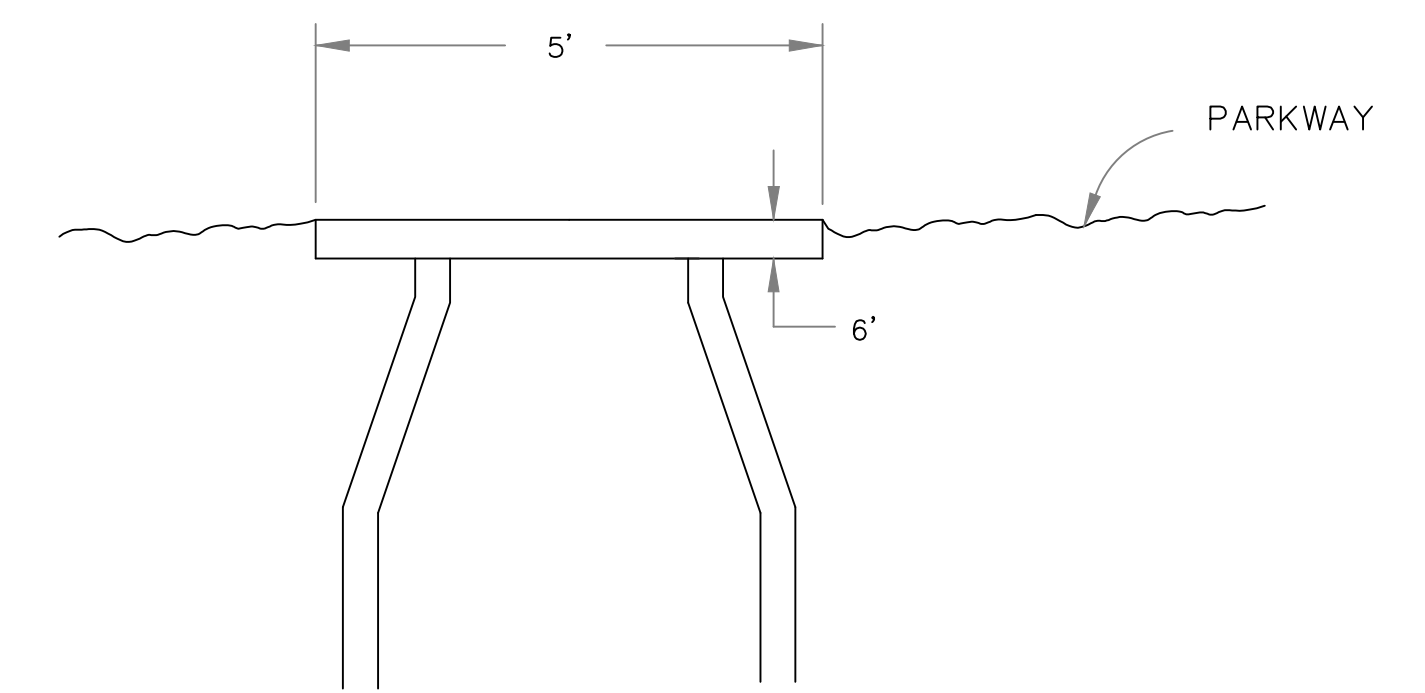
PRECAST CONCRETE MANHOLE

N.T.S.

1. MANHOLES FOR SEWER MAINS 15" OR LARGER SHALL BE 5' DIAMETER MINIMUM
2. MANHOLES 10' OR DEEPER SHALL BE 5' DIAMETER MINIMUM

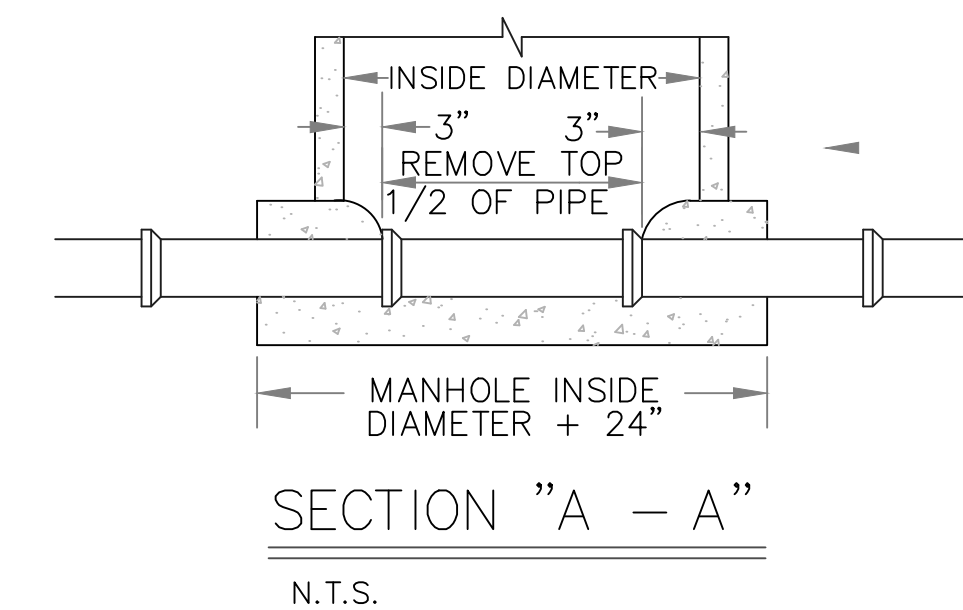
GENERAL NOTES:

1. ALL CONSTRUCTION MATERIALS, METHODS AND PLACEMENT NOT DETAILED BELOW SHALL MEET OR EXCEED THE STANDARD SPECIFICATIONS OF THE NORTH CENTRAL TEXAS COUNCIL OF GOVERNMENTS, OCTOBER 2004 EDITION UNLESS SUPERSEDED BY CITY OF CLEBURNE STANDARD SPECIFICATIONS OR MATERIAL TESTING POLICIES.
2. RING AND COVER SHALL BE DOMESTIC CASTING ONLY. (BASS & HAYS VRM 30). CAST IN PLACE MANHOLE OR WEIGHTED DESIGNED CONE WITH BOLT DOWN RING AND COVER TO BE USED IN FLOOD-PRONE AREA AND MUST BE ANCHORED INTO CONE.
3. MANHOLE MARKERS SHALL BE INSTALLED IN ALL UNDEVELOPED AREAS.
4. MANHOLES SHALL BE PLACED MONOLITHICALLY WITH STREET. IF A BLOCK OUT IS NEEDED INSPECTOR WILL PRE-APPROVE SIZE & SHAPE OF BLOCK OUT.
5. INVERTS FOR CAST-IN-PLACE MANHOLES SHALL BE MADE BY PLACING PIPE CONTINUOUSLY THROUGH MANHOLES AND CUTTING OUT THE TOP OF THE PIPE. A MINIMAL AMOUNT OF CONCRETE INVERT BETWEEN PIPE ENDS WILL BE PERMITTED.
6. CONCRETE FOR MANHOLES TO BE CLASS "F" (6.5 SACK, 4200 PSI) PER NCTCOG SPECIFICATIONS 702.2.4.2. ALL CONCRETE SHALL CONTAIN SUFFICIENT AIR ENTRAINING AGENT TO YIELD 5% AIR CONTENT.
4. NO HINGED MANHOLE LIDS WITHOUT REASON AND APPROVED BY DIRECTOR OF PUBLIC WORKS.
5. WATER AND SEWER MAINS SHALL BE PLACED ON OPPOSITE SIDES OF THE STREET
6. ALL MANHOLES SHALL BE INSTALLED WITH 5'X5' CONCRETE PAD WITH MANHOLE COVERS IN CENTER OF PAD. THE CONCRETE PAD SHALL MATCH PAVEMENT THICKNESS WITHIN PAVEMENT, OR BE 6" THICK OUTSIDE PAVED AREAS. PADS SHALL BE REINFORCED WITH FOUR NO. 4 REBARS. AROUND CONCRETE PADS.
7. MANHOLES SHALL BE INSTALLED IN CENTER OF LANES AND OUTSIDE NORMAL TIRE PATH OF LANE WHEN IN PAVED ROADWAYS.
8. VALVE AND MANHOLE MARKERS SHALL BE ETCHED INTO CURB AND PAINTED WITH DIRECTION ARROWS.
9. SERVICE LINES SHALL NOT CROSS LOT LINES.
10. SEWER AND WATER MAINS SHALL BE MINIMUM 9' APART.
11. CLEANOUTS ARE TO BE LOCATED IN THE PARKWAY BETWEEN THE CURB AND SIDEWALK.
12. CLEANOUTS ARE NOT ALLOWED IN DRIVEWAYS OR SIDEWALKS.



MANHOLE PAD DETAIL

N.T.S.



SECTION "A - A"
N.T.S.



DETAIL NAME / PROJECT NO.

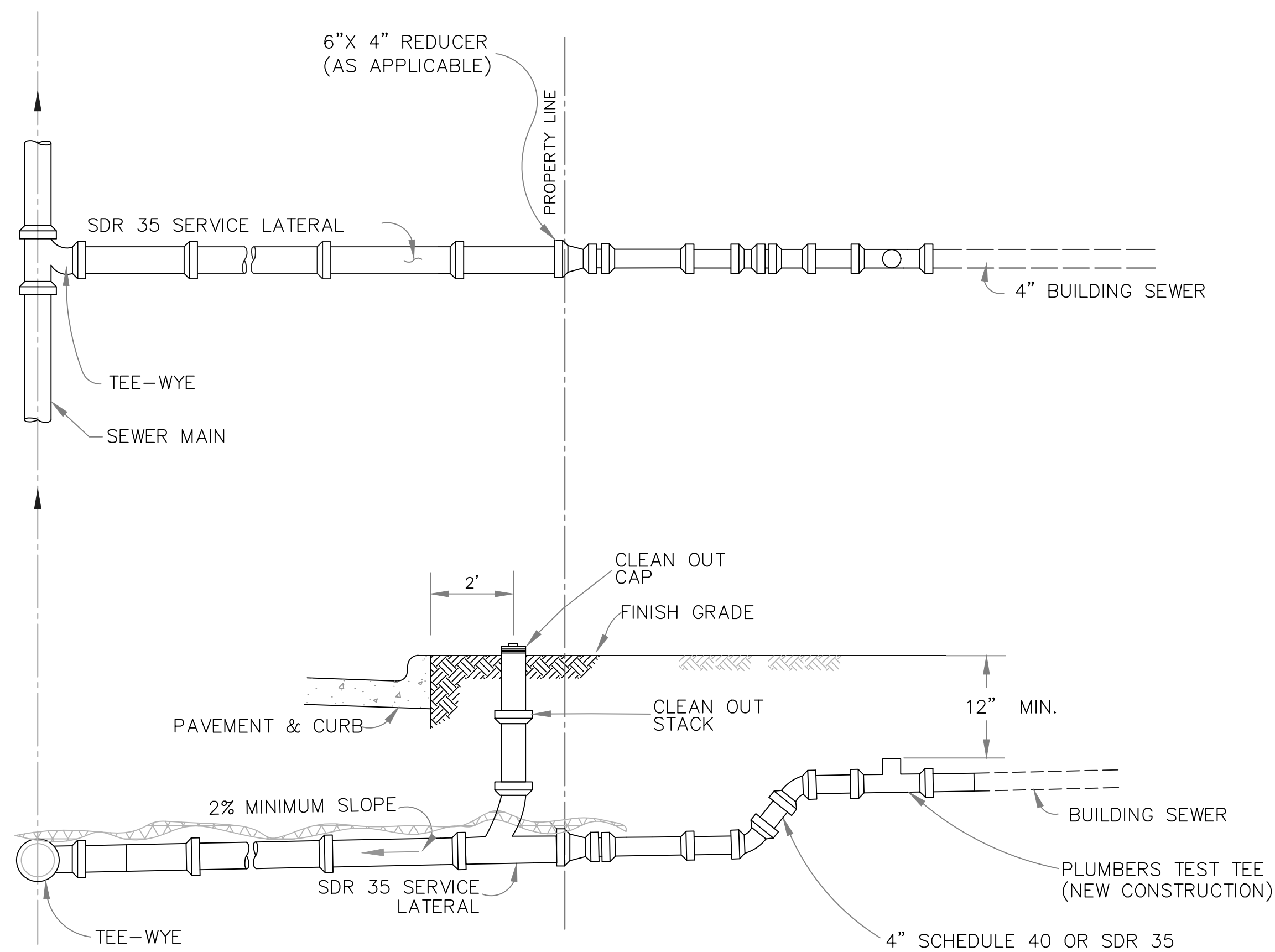
SEWER DETAILS

ENGINEERING SERVICES DEPARTMENT

FILE:

SS-1

SCALE:
NOT TO SCALE
DATE:
2022 VERSION

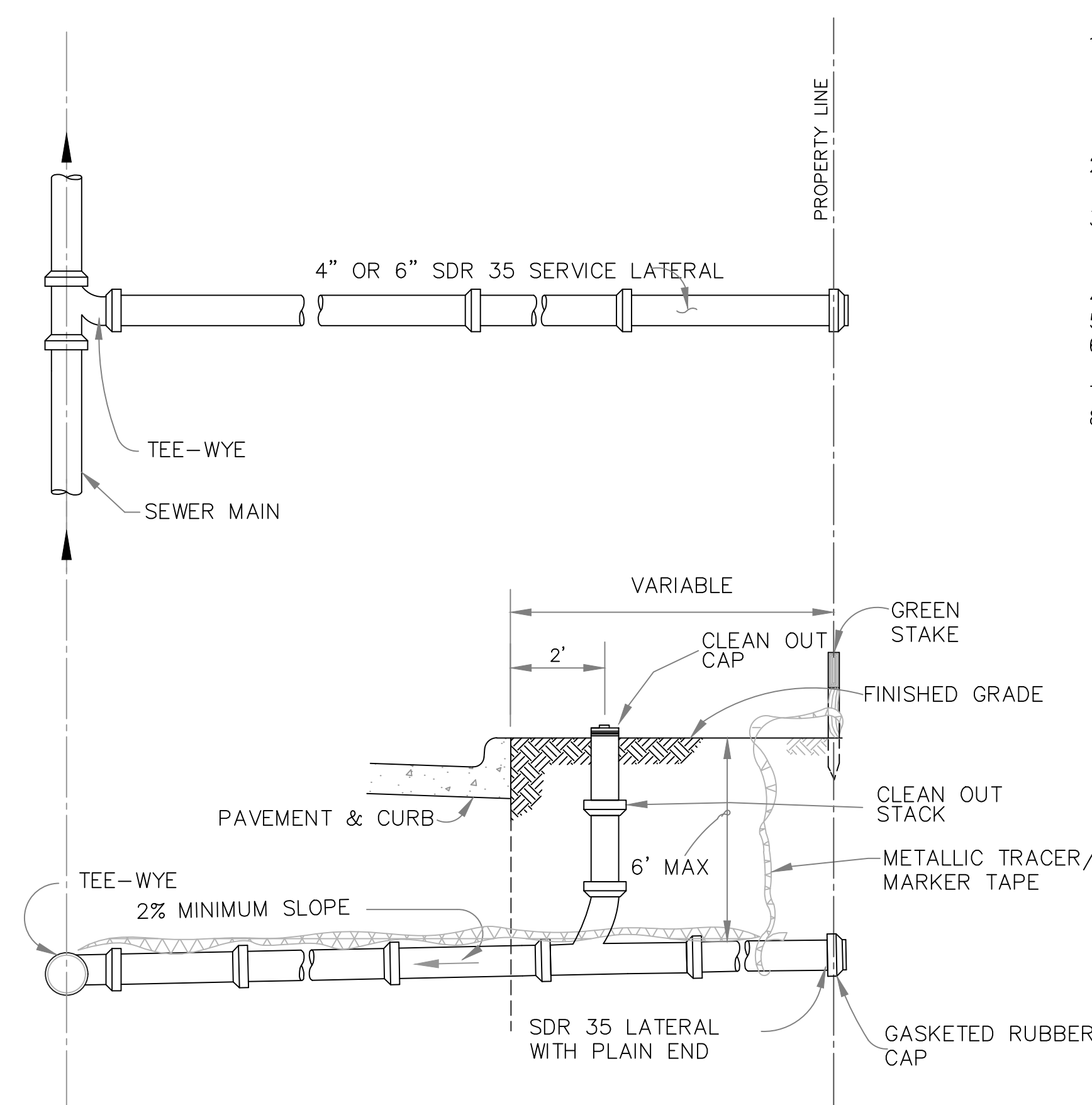


NOTES:

1. RUBBER BOOTS WILL ONLY BE PERMITTED FOR CLAY OR CONCRETE TILE SERVICE PIPE AND MUST BE CONCRETE ENCASED.
2. ONE 4" CONNECTION PER DWELLING UNIT (RESIDENTIAL ONLY)

STANDARD SEWER SERVICE CONNECTION

N.T.S. (PLUMBER CONNECTION OR CIP RECONSTRUCTION)



NOTES:

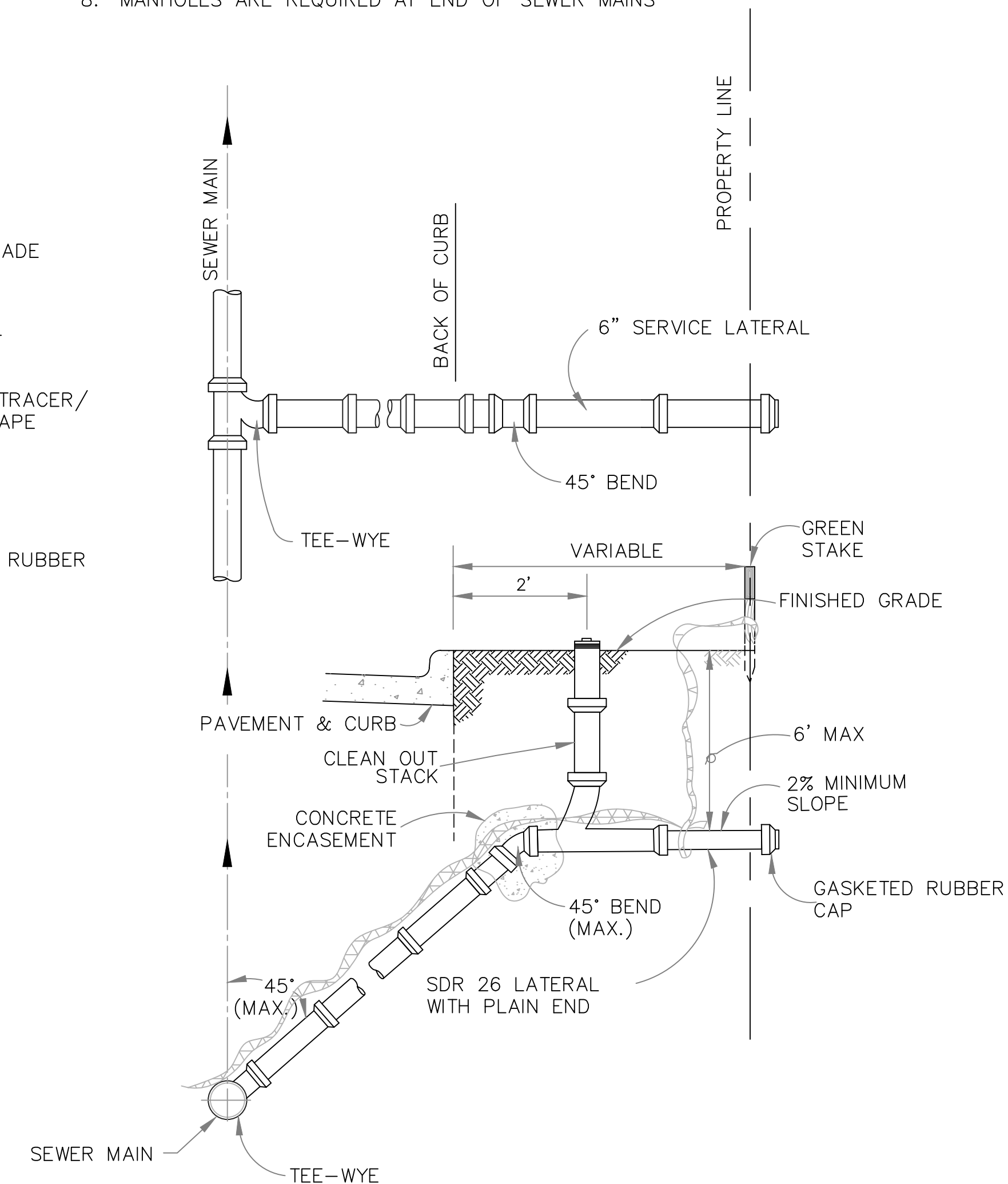
1. ONE 4" CONNECTION PER DWELLING UNIT (RESIDENTIAL ONLY)

STANDARD SEWER SERVICE FOR NEW CONSTRUCTION

N.T.S. (4" MIN. FOR RESIDENTIAL ONLY)

GENERAL NOTES:

1. ALL CONSTRUCTION MATERIALS, METHODS AND PLACEMENT NOT DETAILED BELOW SHALL MEET OR EXCEED THE STANDARD SPECIFICATIONS OF THE NORTH CENTRAL TEXAS COUNCIL OF GOVERNMENTS, OCTOBER 2004 EDITION UNLESS SUPERSEDED BY CITY OF CLEBURNE STANDARD SPECIFICATIONS OR MATERIAL TESTING POLICIES.
2. WHERE COVER IS LESS THAN 3.5 FEET, SANITARY SEWER MAINS AND LATERALS SHALL BE CONCRETE ENCASED OR CAPPED (SEE SHEET SS-3).
3. METALLIC TRACER/MARKER TAPE, GREEN IN COLOR AND MARKED "SANITARY SEWER", TO BE PLACED ALONG MAIN LINES & SERVICES ON TOP OF CRUSHED STONE EMBEDMENT.
4. DOUBLE SWEEP CLEANOUT TEE 2' BEHIND CURB
5. NO APPURTENANT STRUCTURES ALLOWED IN SIDEWALK OR DRIVEWAYS
6. CLEANOUTS ARE TO BE LOCATED IN THE PARKWAY BETWEEN THE CURB AND SIDEWALK.
7. CLEANOUTS ARE NOT ALLOWED IN DRIVEWAYS OR SIDEWALKS.
8. MANHOLES ARE REQUIRED AT END OF SEWER MAINS

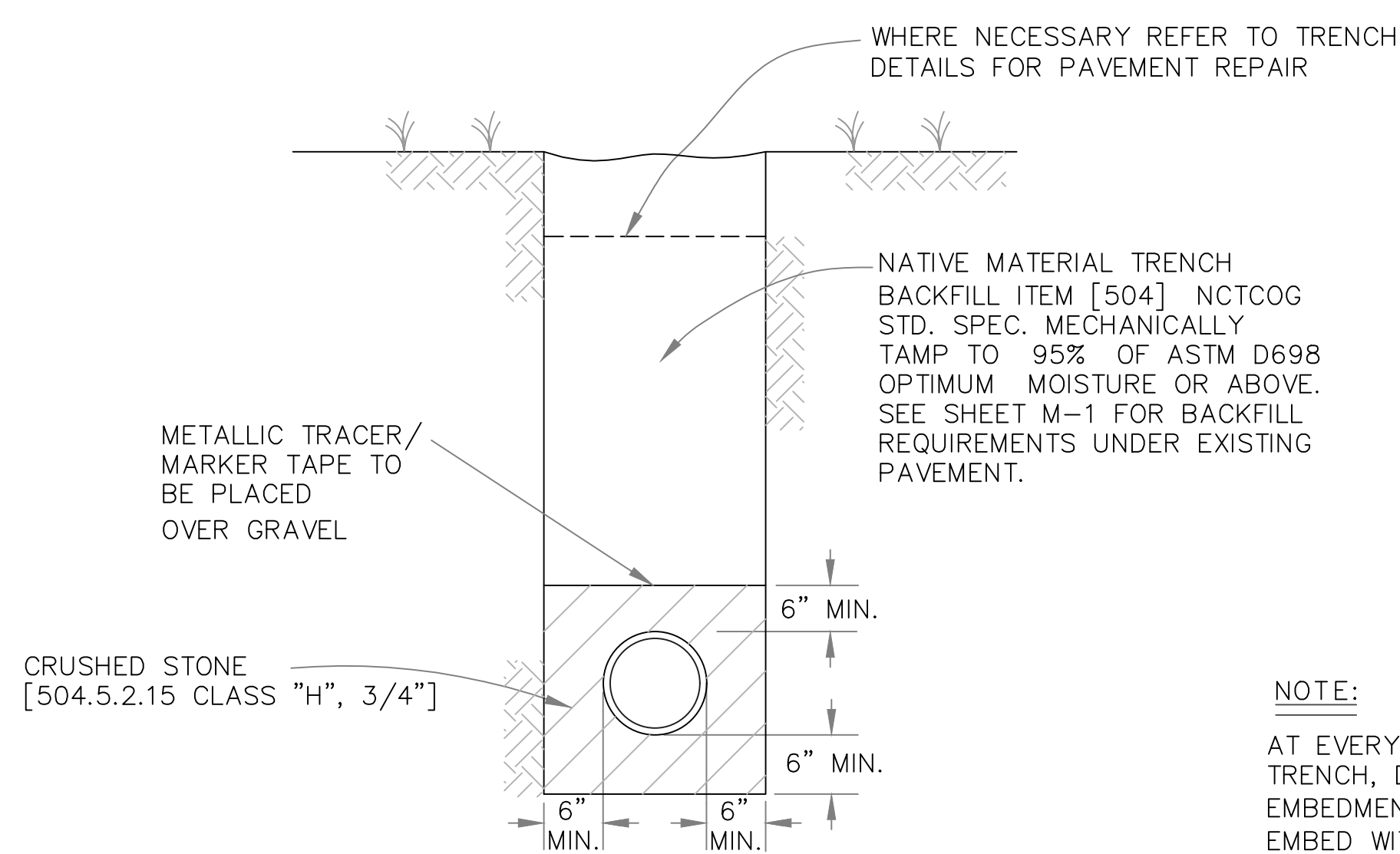


STANDARD DEEP SERVICE DETAIL FOR NEW CONSTRUCTION

N.T.S.

NOTES:

1. ROTATE TEE-WYE TO 45° MAX.
2. ONLY ONE 45° BEND WILL BE USED, 45° BEND MUST BE PLACED OUTSIDE OF PAVEMENT WHERE POSSIBLE.
3. CONCRETE ENCASE 45° BEND.



NOTE:

AT EVERY 100' INTERVAL ALONG TRENCH, DELETE BEDDING AND EMBEDMENT FOR 6' ALONG TRENCH. EMBED WITH CLASS "B" CONCRETE OR FLOWABLE FILL TO DISCOURAGE WATER MOVEMENT DOWN TRENCH.

SANITARY SEWER TYPICAL EMBEDMENT

N.T.S.



DETAIL NAME / PROJECT NO.

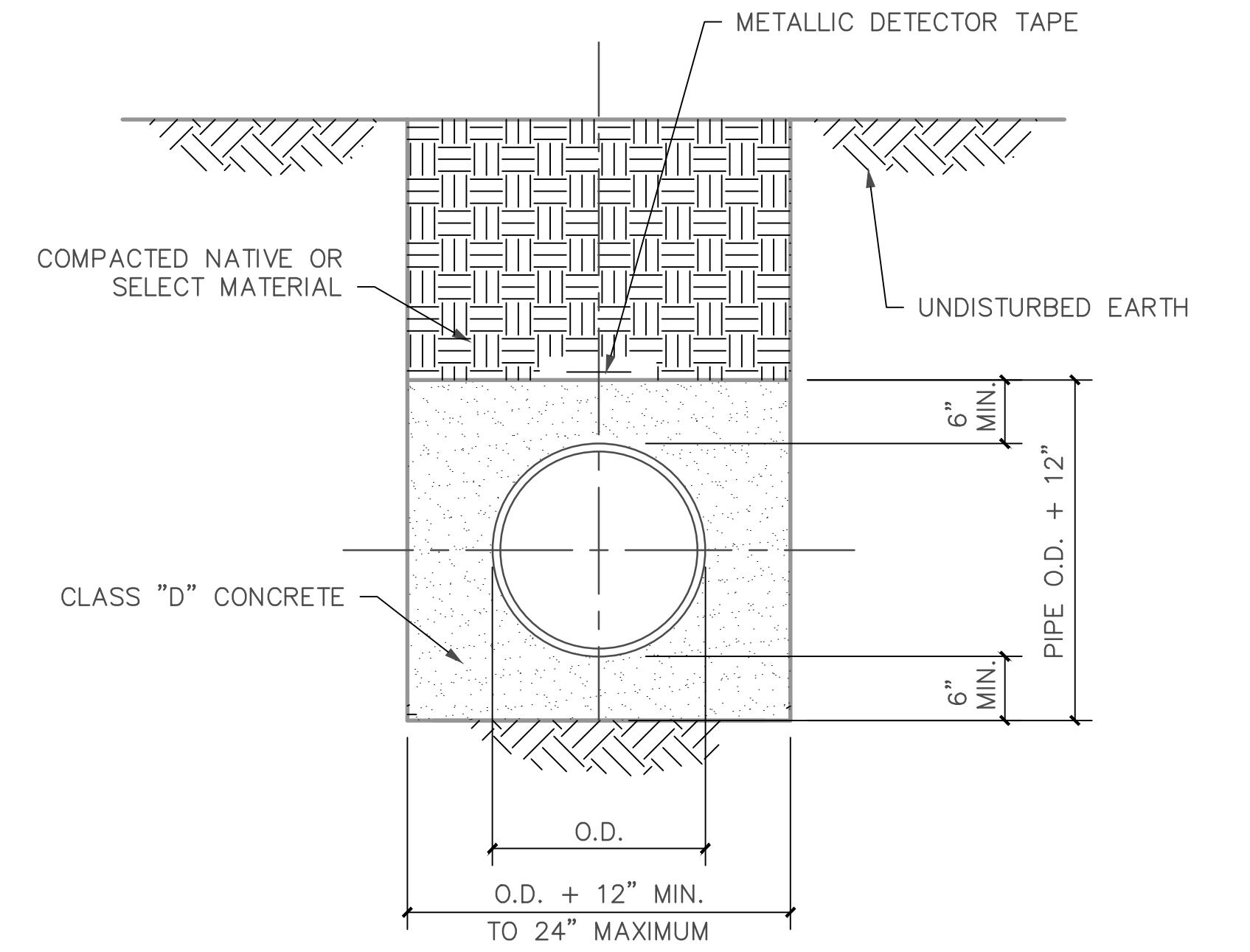
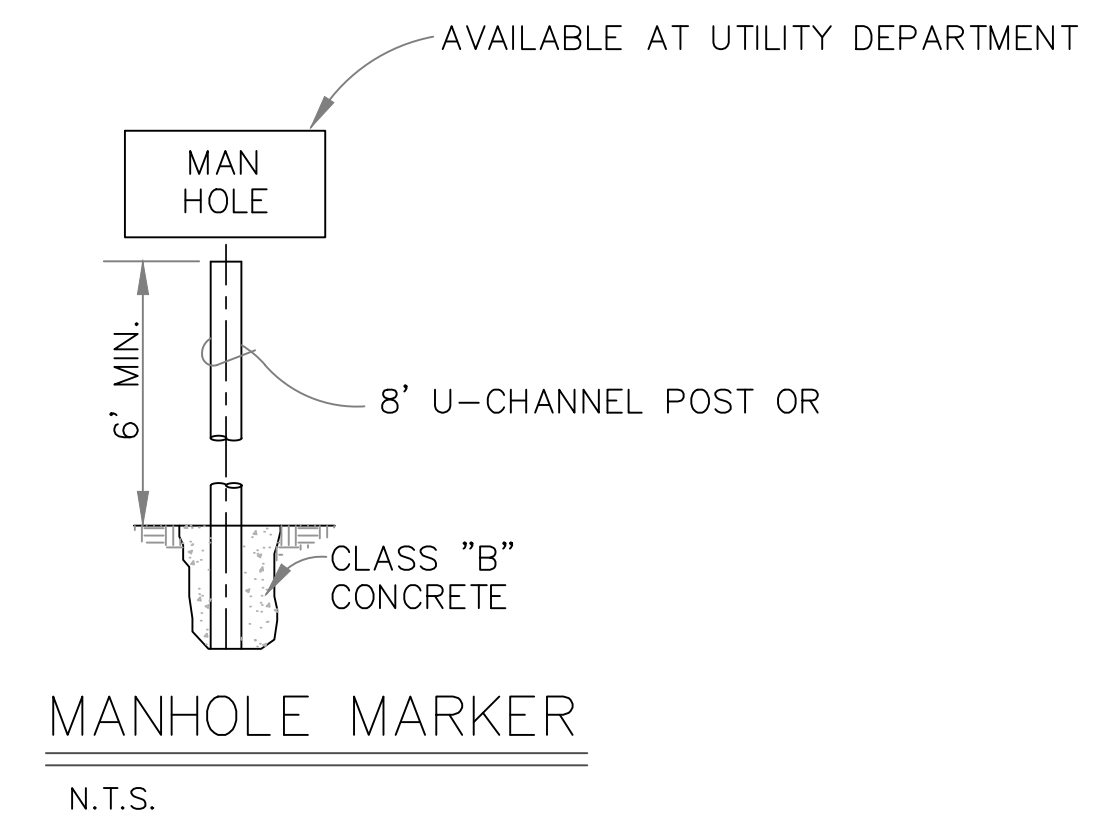
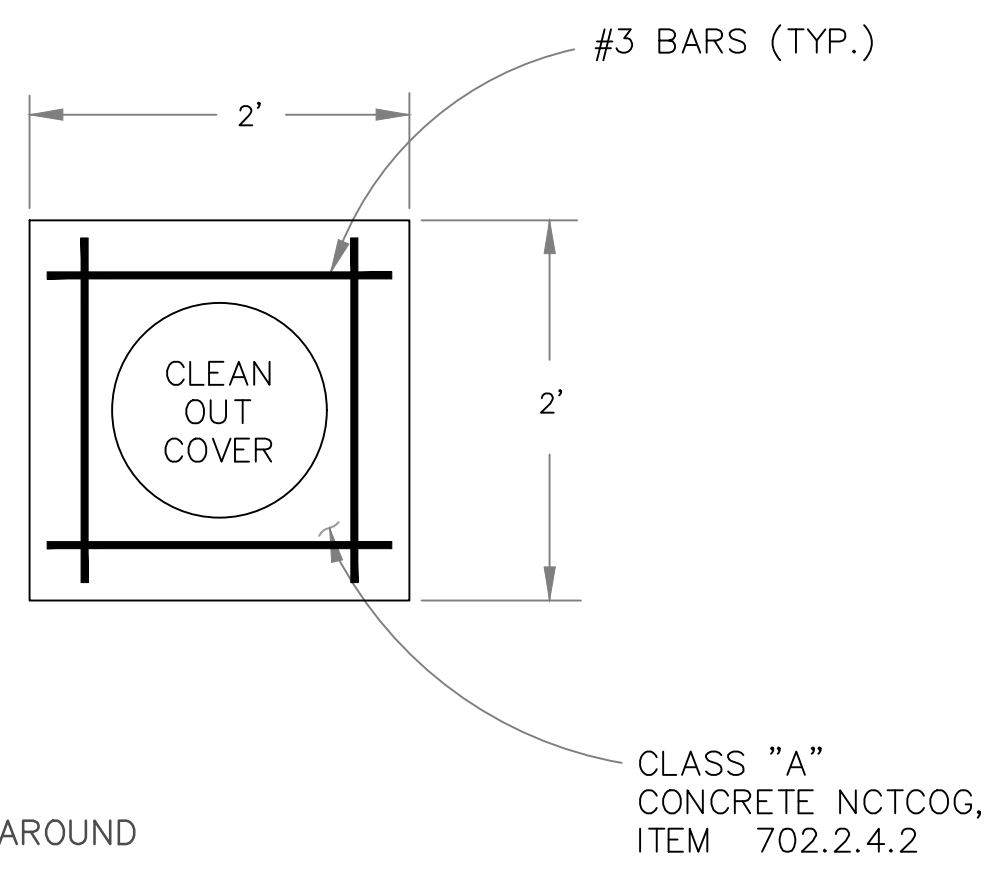
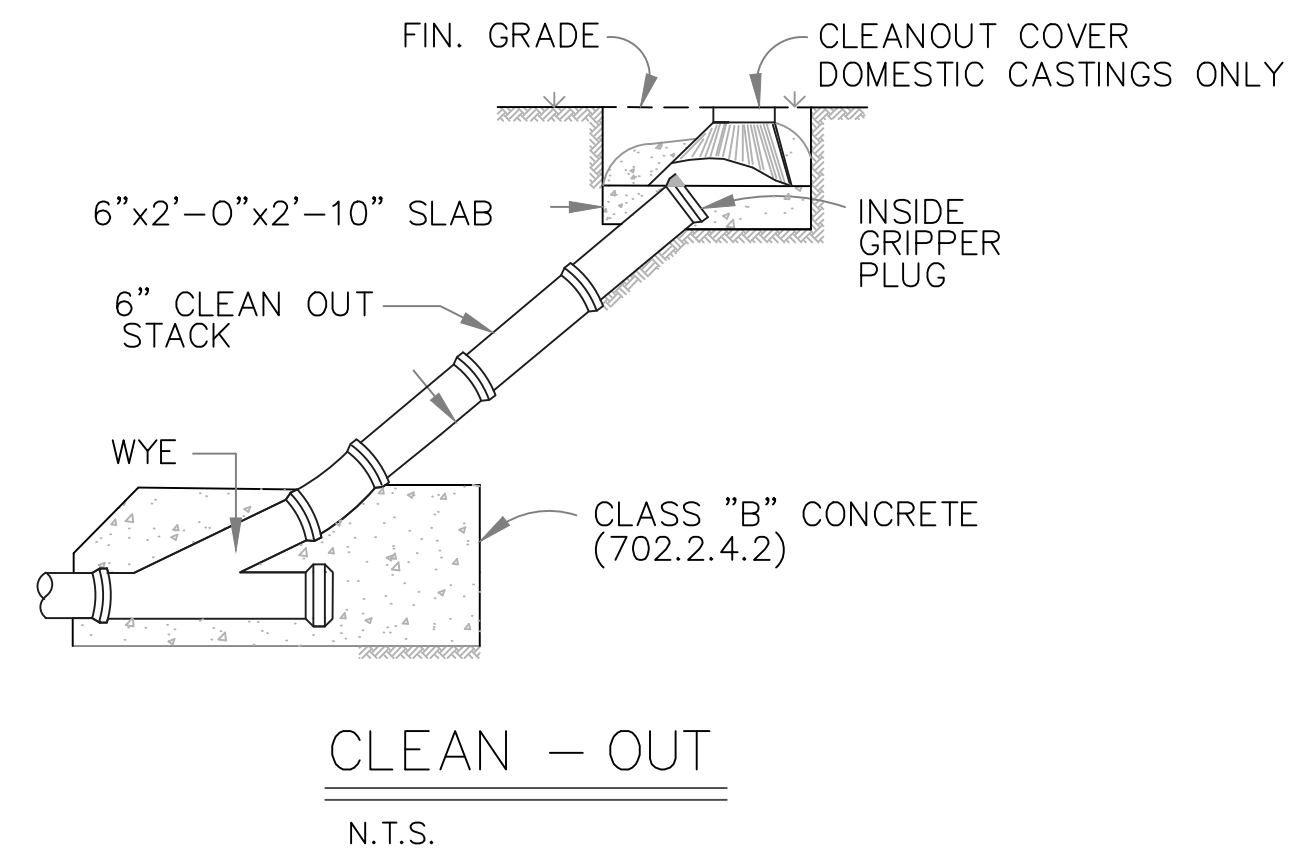
SEWER DETAILS

ENGINEERING SERVICES DEPARTMENT

FILE:

SS-2

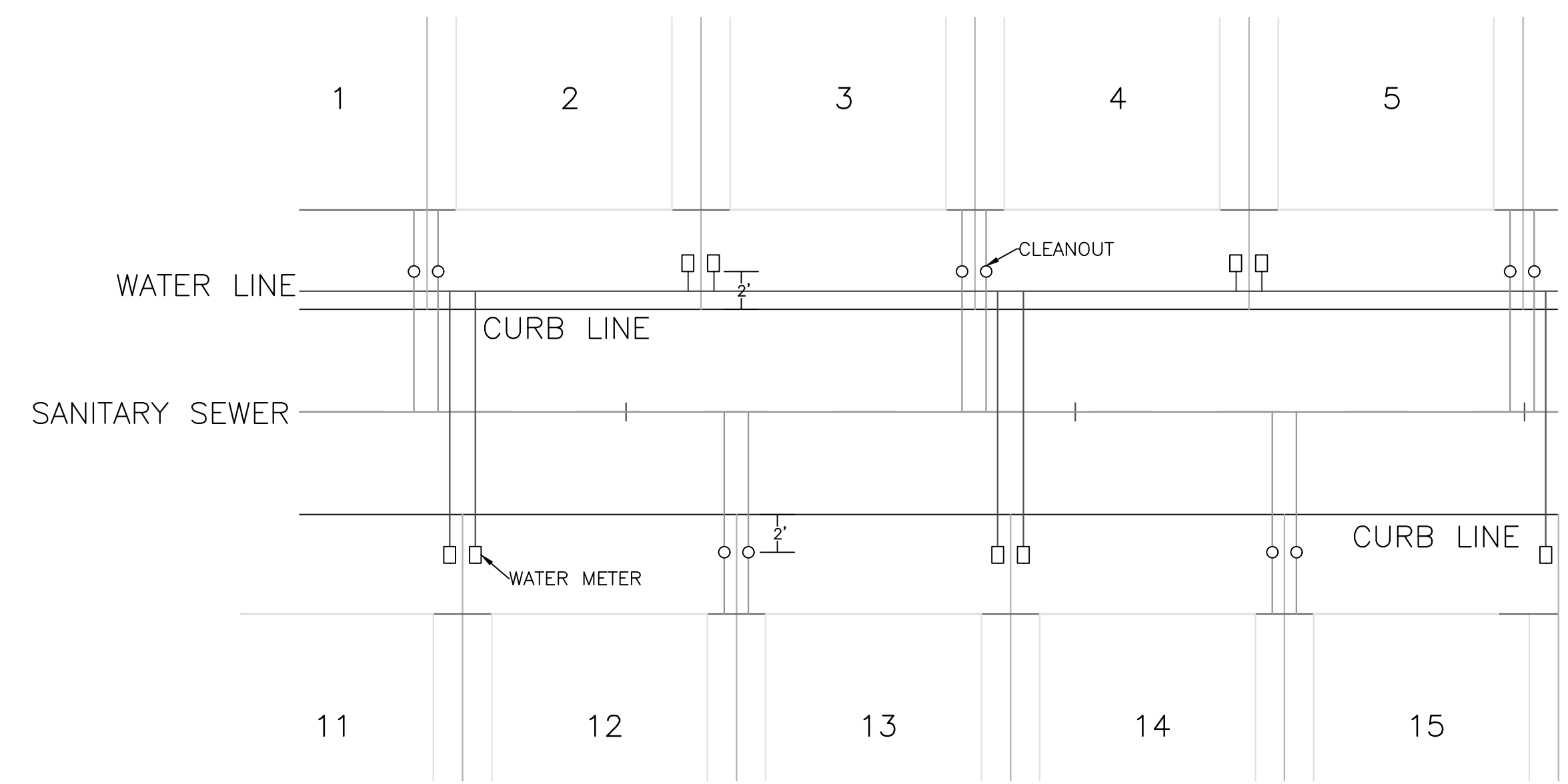
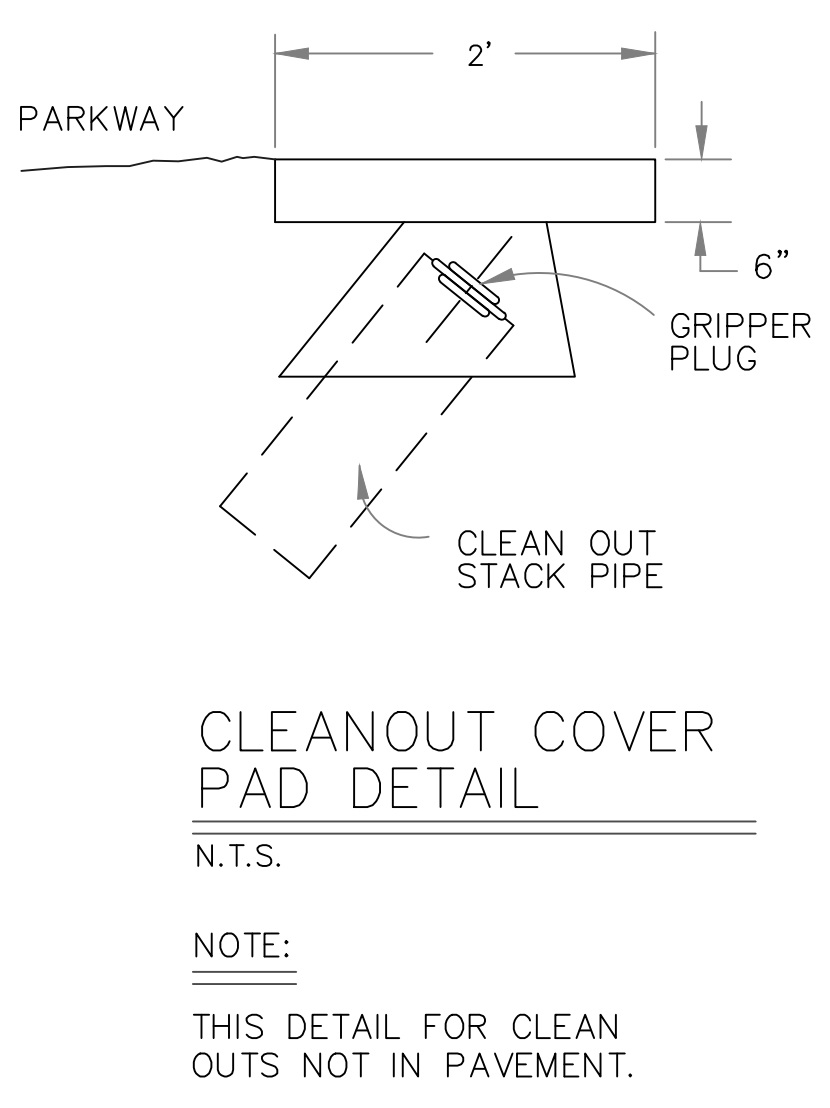
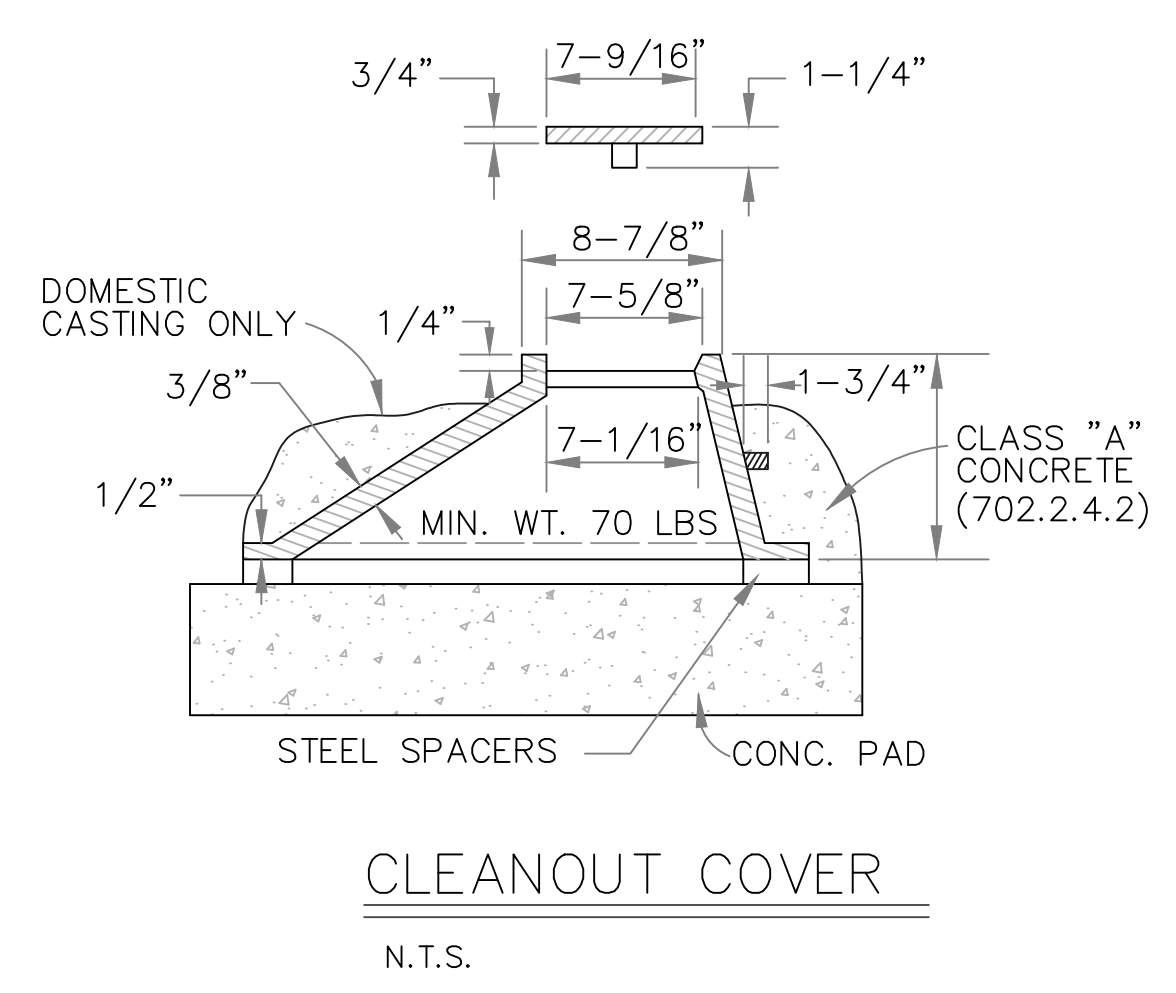
SCALE:
NOT TO SCALE
DATE:
2022 VERSION



NOTES:

1. IF CLEANOUT IS PLACED IN ADVANCE OF PAVEMENT PLACE SAND AROUND CLEANOUT CASTING IN LIEU OF CLASS B CONCRETE.
2. IF CLEANOUT IS OUTSIDE OF PAVEMENT, CENTER CASTING IN 24" X 24" CLASS A CONCRETE PAD 6" THICK WITH FOUR #3 BARS.
3. CLEANOUTS TO BE LOCATED IN THE PARKWAY BETWEEN CURB AND SIDEWALK.
4. CLEANOUTS ARE NOT ALLOWED IN DRIVEWAYS OR SIDEWALKS.

NOTE:
CONCRETE ENCASEMENT
MAY BE MODIFIED FOR A
CONCRETE CAP.



TYPICAL SERVICE LOCATION

N.T.S.
NOTE:
SERVICE LINES SHALL FOLLOW ALL
RELEVANT RULES GOVERNING SPACING
AND/OR MATERIALS IN CHAPTERS 217 &
290



| | | | |
|---------------------------------|--|----------------------|--------------|
| DETAIL NAME / PROJECT NO. | | SEWER DETAILS | |
| ENGINEERING SERVICES DEPARTMENT | | FILE: | SS-3 |
| | | SCALE: | NOT TO SCALE |
| | | DATE: | 2022 VERSION |